

S-line geared cable winches

Technical specification

Model	S150	S160	S172
Pulling force of lower cable layer	50 kN	60 kN	72 kN
Pulling force of upper cable layer	40 kN	47 kN	56 kN
Standard cable length (highly compacted forestry cable with sliding hook)	10 mm dia. x 70 m	11 mm dia. x 70 m	12 mm dia. x 60 m
Profi forestry radio system	Radio system with toggle switch, pushbutton, and emergency stop button		
Pfanzelt precision control PPS	●	●	●
Shield width (Standard)	1,500 mm	1,500 mm	1,800 mm
Weight (without cable)	approx. 470 kg	approx. 490 kg	approx. 580 kg
Recommended tractor power	max. 40 kW	approx. 30 - 60 kW	approx. 40 - 90 kW

Range of accessories	S150	S160	S172
Cable distribution with cable infeed brake (incl. pressure roller)	○	○	○
Long cable package (incl. cable distribution with cable infeed brake)	○ 10 mm dia. x 110 m	○ 11 mm dia. x 100 m	○ 12 mm dia. x 90 m
Cable payout	○	○	○
PTB Automatic trailing drum brake	○	○	○
Load lowering valve	○	○	○
Spur gear for front attachment	○	○	○
Shield width 1,800 mm	–	○	●
Shield width 2,000 mm	–	○	○
Shield width 2,200 mm	–	○	○
Cable retrieval winch	○	○	○
Anti-tilt system	○	○	○

To be observed:

To determine the optimum cable length, deduct 10 % from the maximum rope capacity.

Important:

Observe the legally prescribed breaking load for the cable equipment of the winch.

● Standard ○ Option – Not available

Start your configuration now.
configurator.pfanzelt.com

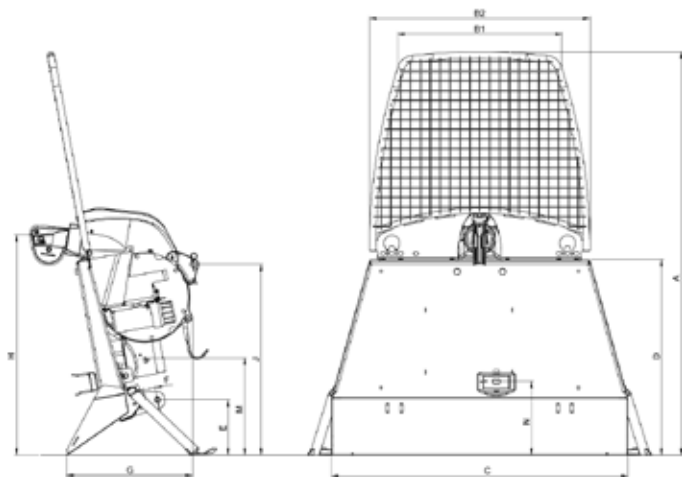


Dimensions (mm)	S150 ²	S160 (Shield 1,500 mm)	S160 (Shield from 1,800 mm)	S172
A	2,050 ²	2,050 ²	2,350	2,350
B1	830	830	950	950
B2	1,110	1,110	1,370	1,370
C	1,500 ²	1,500 ²	1,800 ¹	1,800 ¹
D	990	990	1,210	1,210
E	280	280	355	355
F	60	60	60	60
G	640	640	775	775
H	1,120	1,120	1,330	1,330
J	970	970	1,105	1,105
M	490	490	670	670
N	380	380	540	540

¹ Upon request: 2.000 mm, 2,200 mm, 2,400 mm

² The cable winches with a shield width of 1,500 mm are delivered with a protective grating of 2,050 mm height. Due to legal requirements, these winches are only permitted for tractors with a drive power of up to 40 kW.

S150 and S160 - Shield width 1,500 mm



S160 and S172 - Shield width from 1,800 mm

