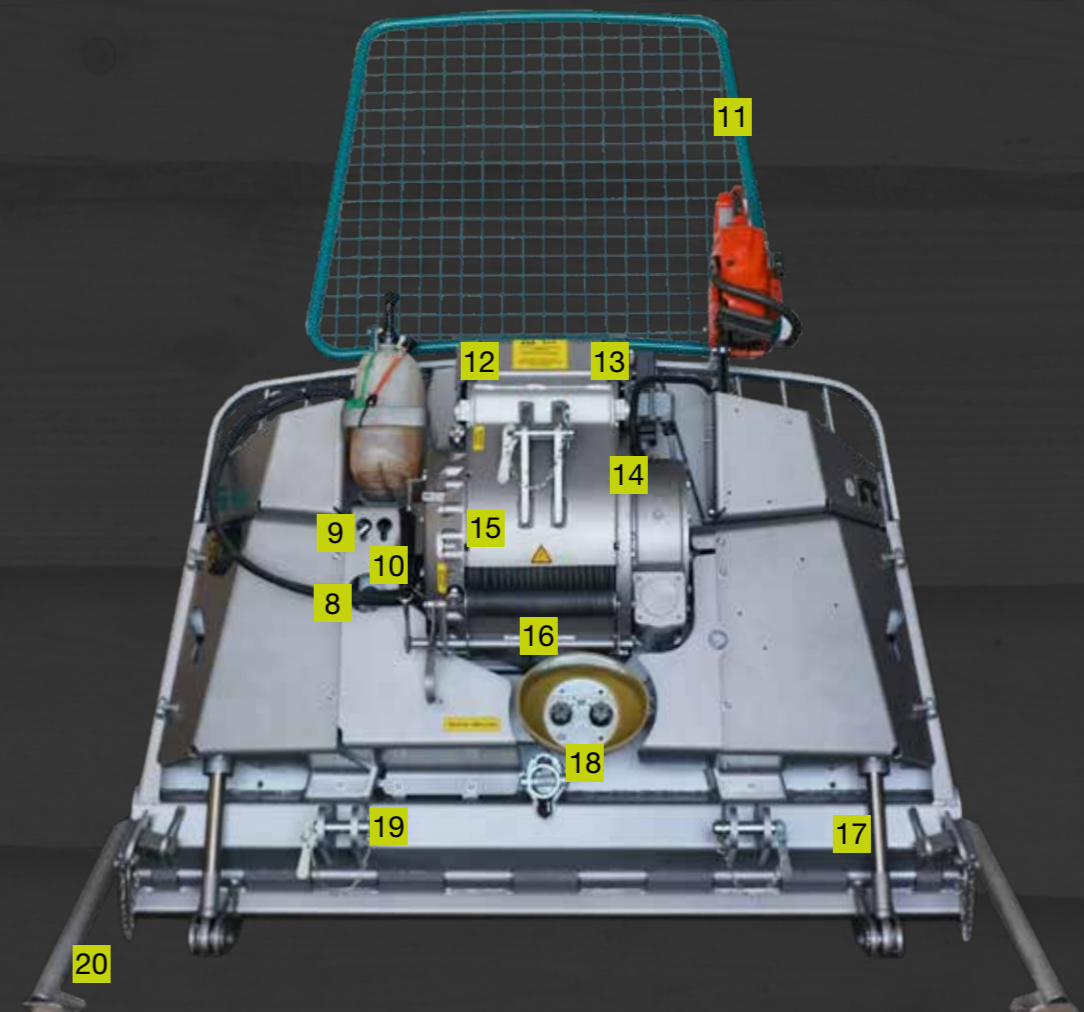
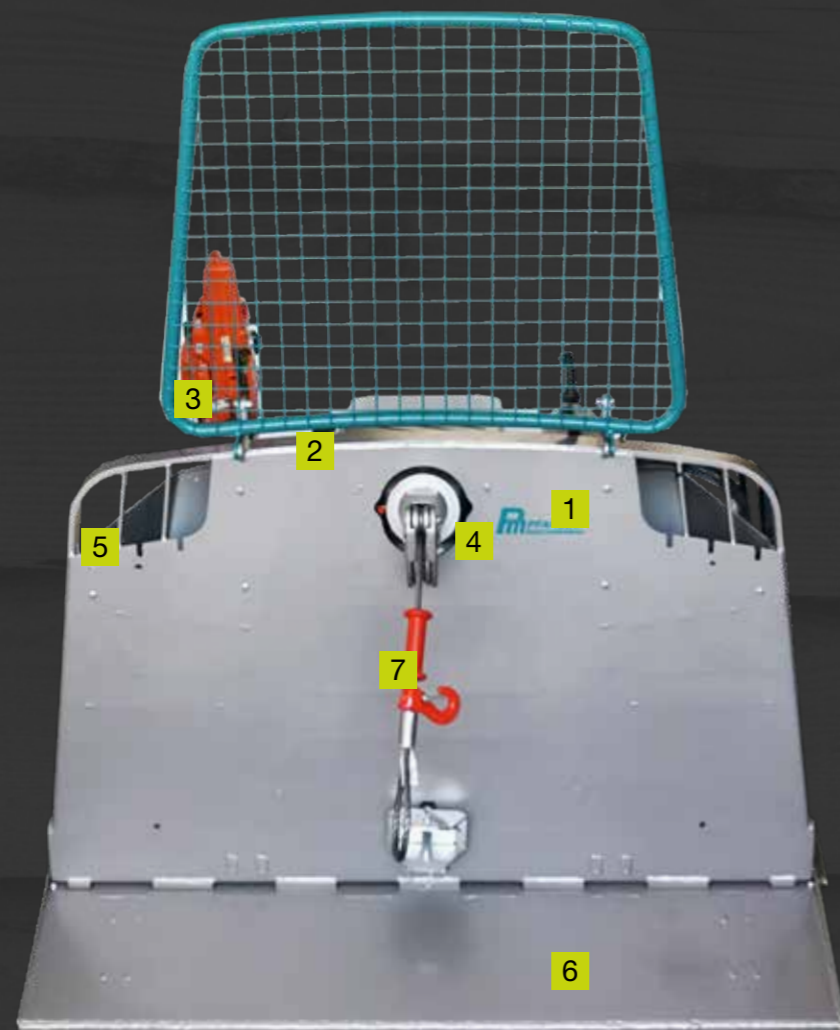


# Profi geared cable winches

## Technical details at a glance:



**1** The PHS system enables short reaction times and fast working due to a permanent hydraulic pressure.

**2** All Pfanzelt cable winches are equipped as standard with a **Forestry radio system**. ▶ Page 32

**3** Two **holders for fuel canister and chainsaw** are useful and keep order on the tractor. ▶ Page 27

**4** The cable infeed reel with ball bearings guarantees cross pulls up to 90°. The low position saves a deflection roller.

**5** Two **storage compartments** mounted on the side of the winch plate ensure order and are easy to reach.

**6** Constructed of fine-grained steels, the **sturdy shield** is torsionally stiff and provides support if there is lateral pull.

**7** Optimum protection against hand crushing in the event of operating errors is provided by the TUTUM crush protection pro.

**8** The hydraulic pressure can be checked quickly and easily on the standard pressure gauge.

**9** The optionally available **Load lowering valve** allows the brake to be released in a controlled manner (optionally also by radio).

**10** With the **Vario-Zug** option, the maximum pulling force can be adjusted to the given operating conditions.

**11** The large and sturdy safety grille provides safety for the operator and protects the tractor from damage.

**12** An optionally available cable payout facilitates the cable pullout and reduces cable wear.

**13** Various cable distribution systems guarantee perfect cable distribution and low wear.

**14** The standard PPS controller allows easy adjustment of the overlap of clutch and brake.

**15** The wide cable drum creates space for long cable lengths and minimises the loss of traction to a maximum of 28 per cent.

**16** The optionally available pressure roller improves cable distribution across the drum width on wide drums.

**17** As an option, the forwarding shield can be supplied hydraulically foldable, which increases ground clearance.

**18** A reversing gear is available as an option. With this the winch can also be mounted at the front.

**19** **Different mounting options** for different categories of lower links allow an uncomplicated attachment.

**20** Lateral **stand legs** facilitate mounting and dismounting of the winch and secure the operator.